



Normeca^{AS}

SUPPLIER OF MOBILE HOSPITALS

Mailandvn 12, P.O. Box 404, 1470 Lorenskog - Norway

Tlf.: +47 67 92 76 00 - Fax: +47 67 92 76 92

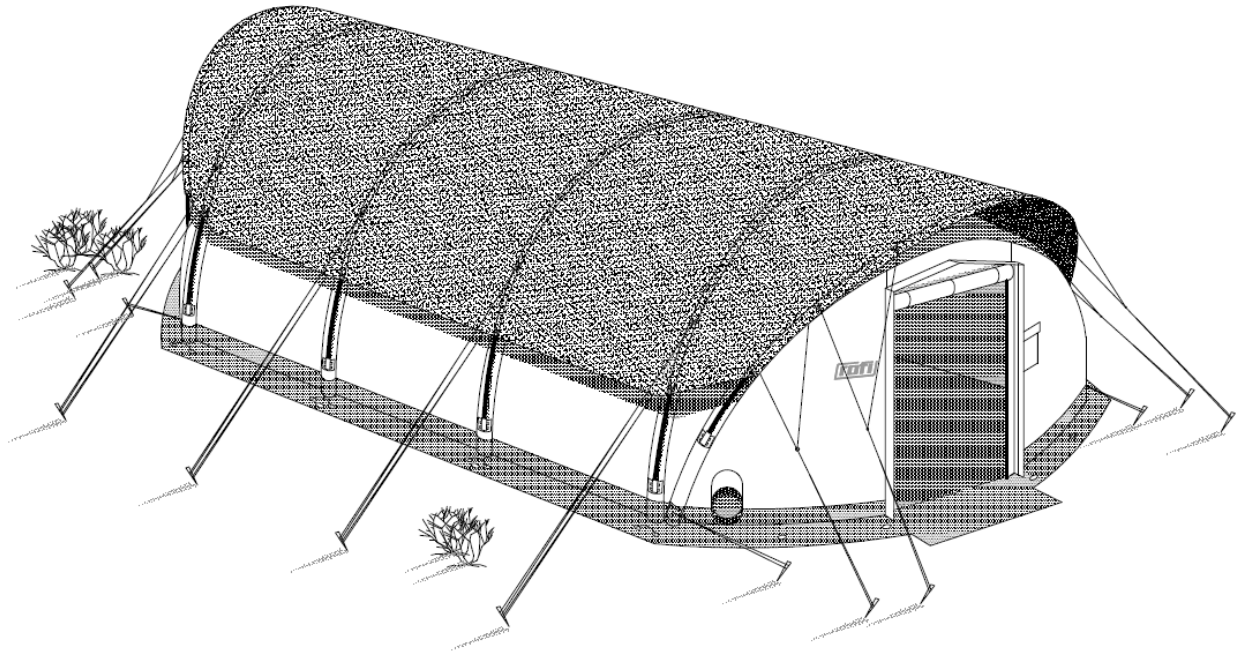
Mail: post@normeca.no - Web: www.normeca.no

Assembly Instructions

April 2009

FLYSHEET SUN FOR

RAPID BASIC RAPID PLUS RAPID ADVANCED



Article number:

72021040 (6 M)

72021151-90 (6 M)

72021275-90 (6 M)

72021255-90 (12 M)

CONTENTS 72021040/72021155-90/72021151-90:

Qty	Unit	Description
1	pc	Flysheet with ropes and straps
6	pc	Pole for flysheet, Alu.
4	pc	Peg 40 cm
1	pc	Assembly Instructions

CONTENTS 72021255-90:

Qty	Unit	Description
1	pc	Flysheet with ropes and straps
10	pc	Pole for flysheet, Alu.
4	pc	Peg 40 cm
1	pc	Assembly Instructions

Assembly

Spread the flysheet on the ground, with the pole-channels facing down towards the ground.

Assemble all the poles, and make sure they are properly connected.

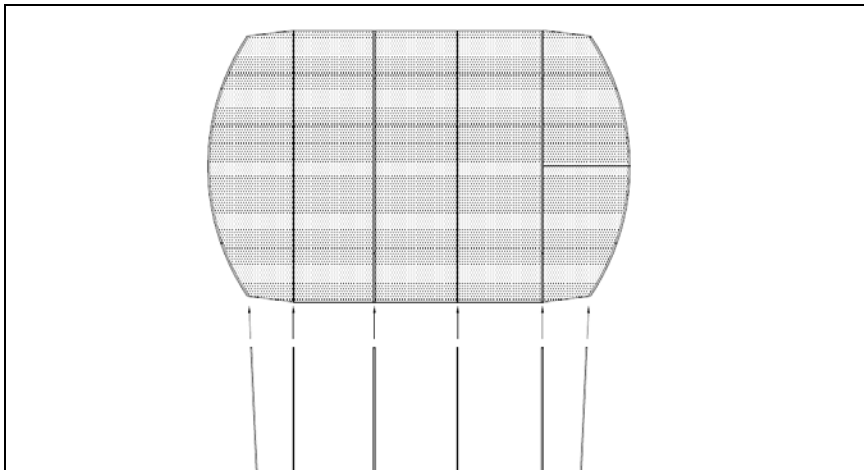


Correct:





Important to spray the poles with silicon spray.



Push the poles through the channels of the flysheet, enabling the poles to reach equal distance out from the flysheet.

Note: Push the poles – never pull



Place the flysheet with the 6 poles inserted on top of the tent roof.



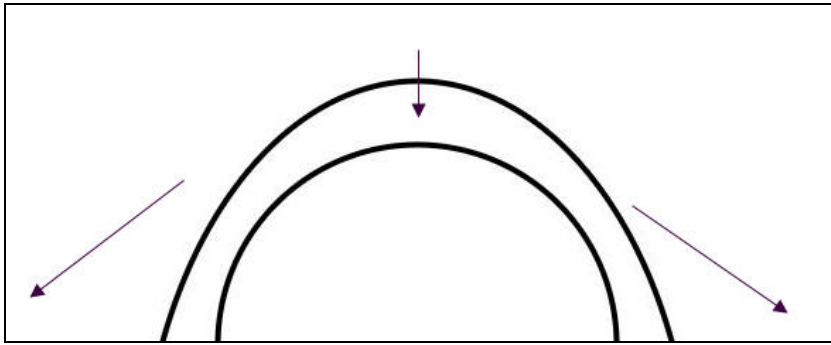
Insert the poles on the flysheet through the loops (2 ea.) on each side of the tent.



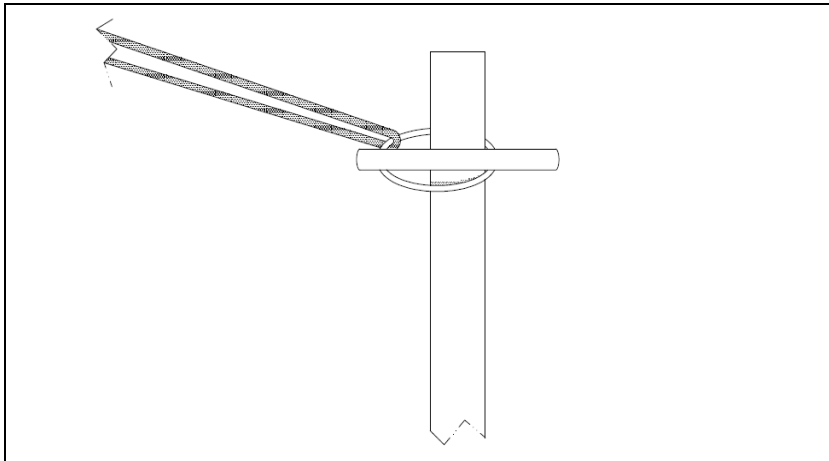
Tension all the straps evenly, so that the flysheet appears smoothly all over.



Place the pegs as far away from the tent wall as convenient. We recommend an angle of the ropes on approx to 45 °.



Adjust ropes and straps to secure as even distance between tent and flysheet as possible.



The 12/20 pegs must be hammered all the way down, so the horizontal part of the peg secures the flysheet to the ground. Adjust the strap accordingly.

OPTION: CONNECTING FLYSHEETS



Place the flysheet with laces along/against the flysheet with eyelets. By connecting two flysheets it is important to start in the middle, and sew towards each side. The middle of the flysheet with eyelets is marked with a black line and the middle of the flysheet with loops there is two loops, one for each direction.



Sew together the laces on the flysheet.



Sew together all the way down to the edge and then tie the laces together.
Then follow the direction above.

 **Normeca^{AS}**
SUPPLIER OF MOBILE HOSPITALS
Mailandvn 12, P.O. Box 404, 1470 Lorenskog _ Norway
Tlf.: +47 67 92 76 00 - Fax: +47 67 92 76 92
Mail: post@normeca.no - Web: www.normeca.no